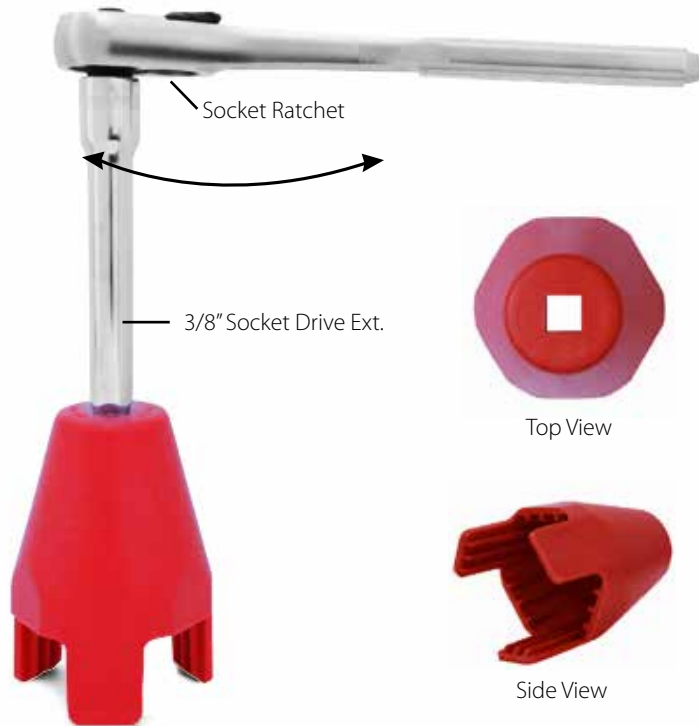


Nut Cover **NEW** Installation Tool

- Fits** #10338 Lug Nut Cover
#10325 Lug Nut Cover
- Features** Use with Socket Ratchet & 3/8" Drive Extension.
Specially designed for easy installation.
- Material** Plastic (will not scratch lug nut cover).
Do not over torque.
- Unit & Package** Sold by each, carded for display
- Patent** Pending

Part No.	Description
10318	Designed for #10338 Lug Nut Cover
10319	Designed for #10325 Lug Nut Cover



*Socket Ratchet & Drive Extension NOT INCLUDED



Rear Axle Cover Set #40191



10338



10318 Inside View



10325



10319 Inside View

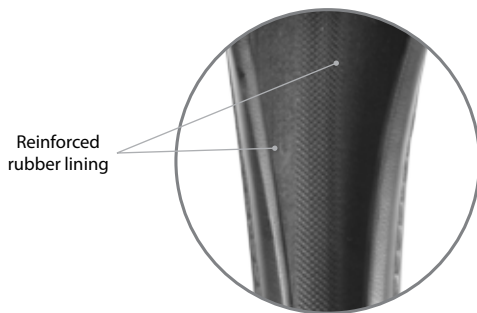
18" Steering Wheel Cover w/Comfort Grips **NEW**

Medium Duty Series

- Fits** 18" steering wheel
Features Soft padding for comfort.
 Durable rubber lining.
 Superior style and quality.
Material High quality PVC
Unit & Package Sold by each, carded for display



Part No.	Description
54040	Light Wood w/Black Hand Grips
54041	Dark Wood w/Black Hand Grips
54042	Black Wood w/Black Hand Grips
54043	Shiny Black w/Black Hand Grips



Colors Available



54040

54041

54042

54043

3" Pearl LED **NEW** Double Face Light

LED 14 High Power LEDs Per Side - 12V
Size 3" Dia. 1 1/4" (D) x 3 1/4" (H) Lens with 1 1/2" (L) Stud
Material Polycarbonate lens and die cast housing
Wire Connection 3 wires, hardwired
Unit & Package Sold by each, carded for display



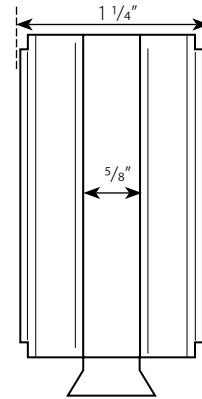
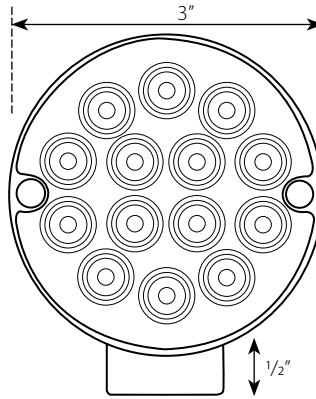
DOT
PENDING



Back

75190

Part No.	LED	Lens Color
75190	Amber/Red	Amber/Red
75191	Amber/Amber	Amber/Amber
75192	Amber/Red	Clear Lens
75193	Amber/Amber	Clear Lens



Colors Available



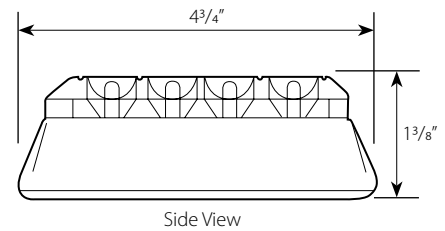
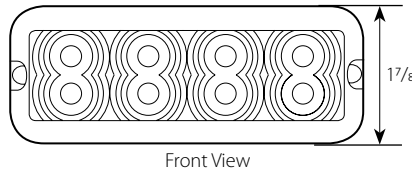
NEW PRODUCTS

Medium Rectangular Strobe LED **NEW**

- LED** 8 LEDs – 9V ~ 36V
- Size** 4³/₄"(L) x 1⁷/₈"(W) x 1³/₈"(H)
- Material** Polycarbonate lens and die cast housing
- Features** 18 Split Strobe Flashing Mode
- Wire Connection** ... 4 wires, hardwired
- Unit & Package** Sold by each, carded for display



Part No.	LED/Lens Color
81830	Amber/Amber
81831	Amber/Clear
81832	Red/Red
81833	Red/Clear
81834	White/Clear
81835	Blue/Blue
81836	Blue&Red/Clear
81837	Blue&White/Clear



Colors Available

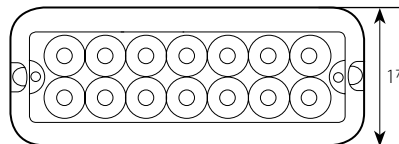


Medium Rectangular Strobe LED **NEW**

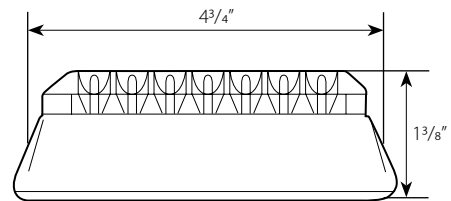
- LED** 14 LEDs – 9V ~ 36V
- Size** 4³/₄"(L) x 1⁷/₈"(W) x 1³/₈"(H)
- Material** Polycarbonate lens and die cast housing
- Features** 1 Strobe Flashing Mode
- Wire Connection** ... 3 wires, hardwired
- Unit & Package** Sold by each, carded for display



Part No.	LED/Lens Color
81820	Amber/Amber
81821	Amber/Clear
81822	Red/Red
81823	Red/Clear
81824	White/Clear



Front View



Side View

Colors Available



81820



81821



81822



81823



81824

4" Medium Rectangular LED Strobe Light



LED 4 High Power LEDs - 9V~36V

Size 4" (L) x 1 1/4" (W) x 5/8" (D)

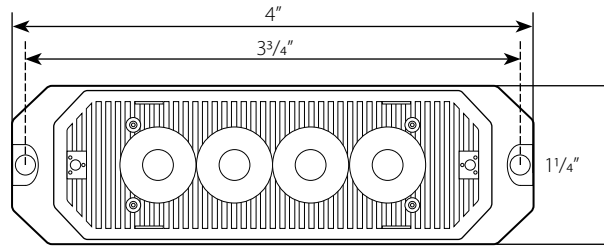
Features 14 split flash patterns
 Completely self-contained, surface mount.
 Note: Light is pending DOT test specifications. For emergency vehicle use only. Check your city/county/state DOT laws before installation.

Wire Connection 3 wires, hardwired

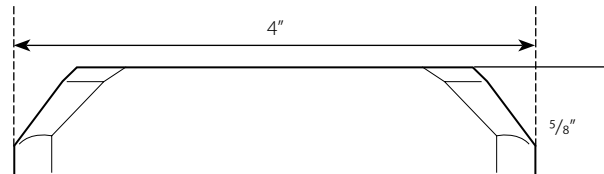
Unit & Package Sold by each, carded for display



DOT PENDING



Front View (light only)



Side View (light only)

Strobe Light	LED/Lens Color
81800	Amber/Amber
81801	Amber/Clear
81802	Red/Red
81803	Red/Clear
81804	White/Clear
81805	Blue/Blue
81806	Blue/Clear
81807	Blue&Red/Clear
81808	White&Blue/Clear
81809	White&Amber/Clear

NEW

Colors Available



NEW

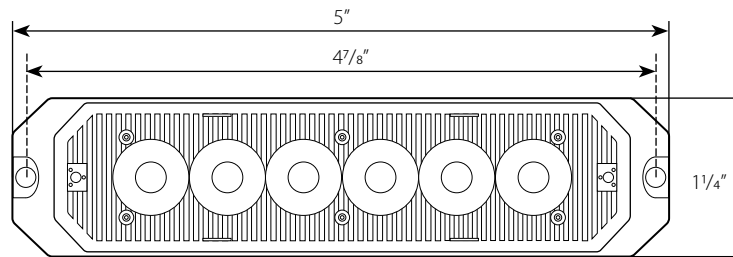
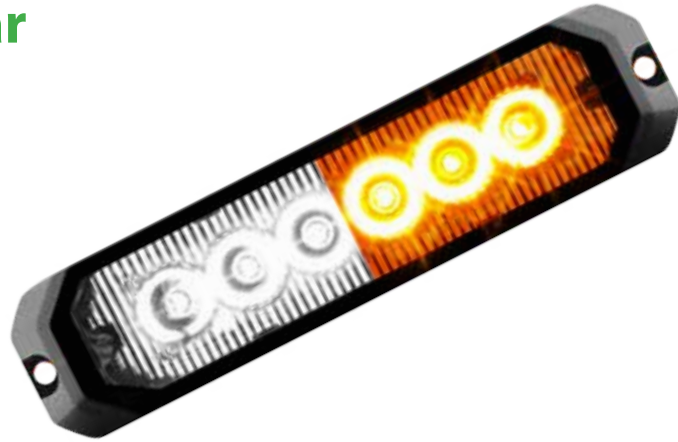
5" Medium Rectangular LED Strobe Light

LED 6 High Power LEDs - 9V~36V
Size 5" (L) x 1 1/4" (W) x 5/8" (D)
Features 14 split flash patterns
 Completely self-contained, surface mount.
 Note: Light is pending DOT test specifications. For emergency vehicle use only. Check your city/county/state DOT laws before installation.

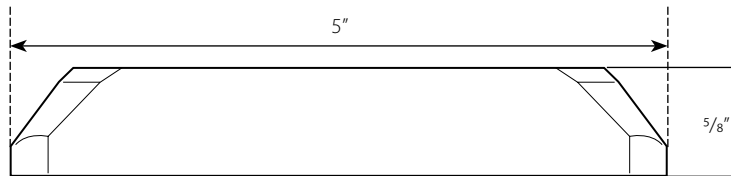
Wire Connection 3 wires, hardwired
Unit & Package Sold by each, carded for display



DOT
 PENDING



Front View (light only)

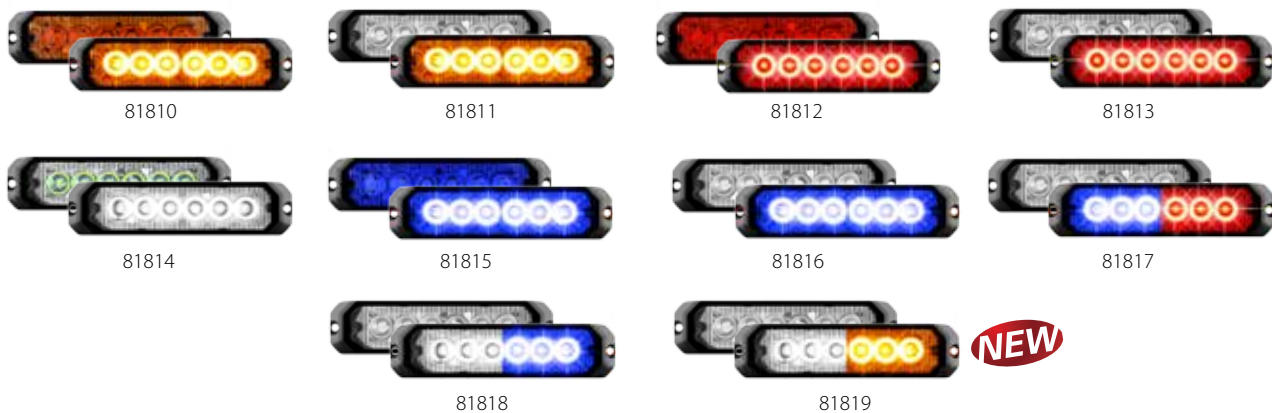


Side View (light only)

Strobe Light	LED/Lens Color
81810	Amber/Amber
81811	Amber/Clear
81812	Red/Red
81813	Red/Clear
81814	White/Clear
81815	Blue/Blue
81816	Blue/Clear
81817	Blue&Red/Clear
81818	White&Blue/Clear
81819	White&Amber/Clear

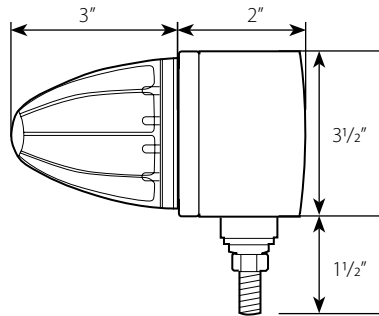
NEW

Colors Available



Bullet Watermelon Single Face Light **NEW**

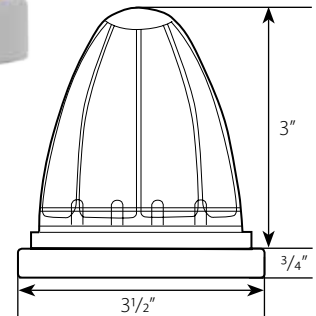
LED 19 LEDs - 12V
Size 3 1/2" (Dia.) x 5" (H) x 1 1/2" (H) Stud
Material Chrome Die Cast Housing with Stainless Steel Bezel
Wire Connection 3 wires, hardwired
Unit & Package Sold by each, carded for display



Part No.	LED/Lens Color
81970	Amber/Amber
81971	Amber/Clear

Bullet Watermelon Surface Mount Light **NEW**

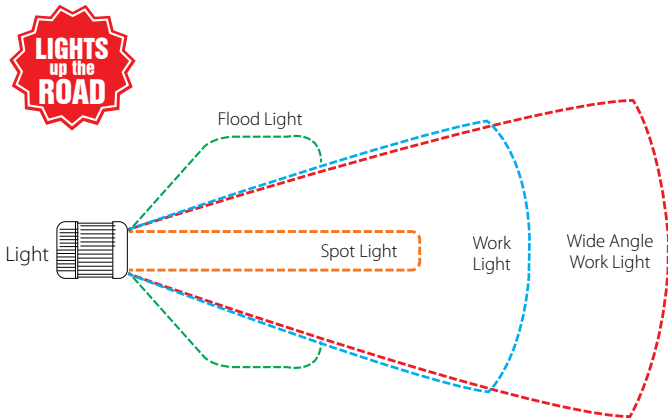
LED 19 LEDs - 12V
Size 3 1/2" (Dia.) x 4" (H)
Material Stainless Steel Bezel with Black Rubber Mounting Base
Wire Connection 3 wires, hardwired
Unit & Package Sold by each, carded for display



Surface Mount Kit	Light Only	LED/Lens Color
81978	81998	Amber/Amber
81979	81999	Amber/Clear

Heavy Duty **NEW** High Power LED Light

- LED** High Power LEDs
- Material** Rugged heavy duty design with aluminum black powder coated housing
Stainless steel adjustable mounting hardware
- Features** Multi-Voltage (9~36V)
- Wire Connection** 2 wires, hardwired
- Unit & Package** Sold by each, carded for display



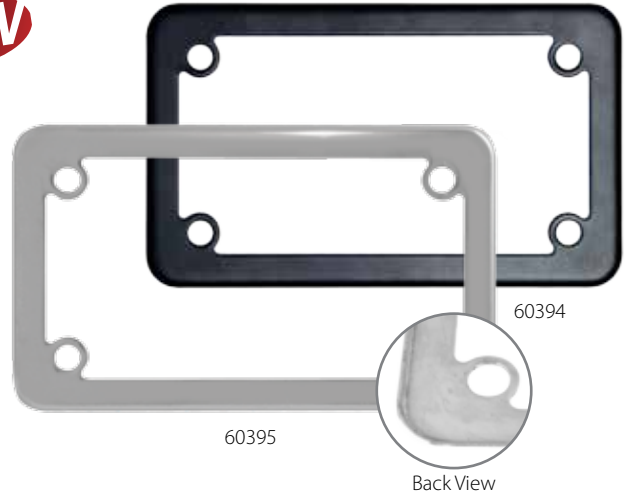
	Work/Flood Light			
Part No.	76358	76359	76362	76363
Voltage	9~36V	9~36V	9~36V	19~36V
Lumens	750 Lumens	650 Lumens	750 Lumens	650 Lumens
LEDs	4 High Power LEDs	4 High Power LEDs	4 High Power LEDs	4 High Power LEDs
Output	Flood	Flood	Work	Work
Size	27/8" (W) x 27/8" (H)	33/8" (W) x 31/8" (H)	27/8" (W) x 27/8" (H)	33/8" (W) x 31/8" (H)

NEW PRODUCTS

Motorcycle License Plate Frame **NEW**

Size 7 1/2" (L) x 4 1/2" (W)
Material Powder Coated Steel or #304 Stainless Steel
Unit & Package Sold by each, carded for display

Part No.	Description
60394	Flat/Matte Black Powder Coated
60395	Polished #304 Stainless Steel



Boot Caddie w/ LED Marker Light **NEW**

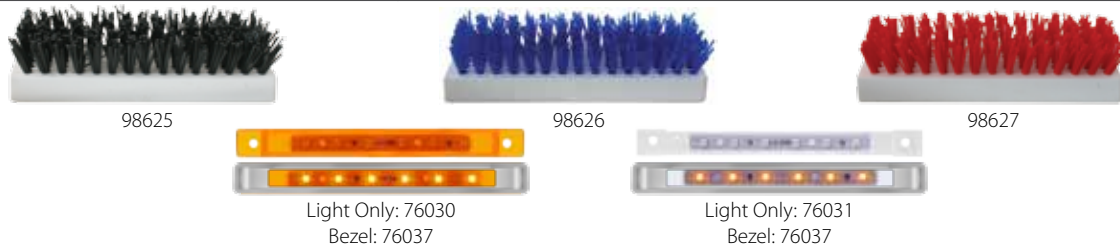
Size 7 1/2" (L) x 2 5/8" (H) x 3" (D)
Material Chrome aluminum housing
Wire Connection 2 wires, hardwired with ground ring
Kit Contains Mounting hardware
Unit & Package Sold by each, color display bag
Patent Pending



Part No.	Brush Color	LED/Lens Color
98980	Black	Amber/Amber
98981	Black	Amber/Clear
98982	Blue	Amber/Amber
98983	Blue	Amber/Clear
98984	Red	Amber/Amber
98985	Red	Amber/Clear



Replacement Parts



24V to 12V **NEW** Step Down Module

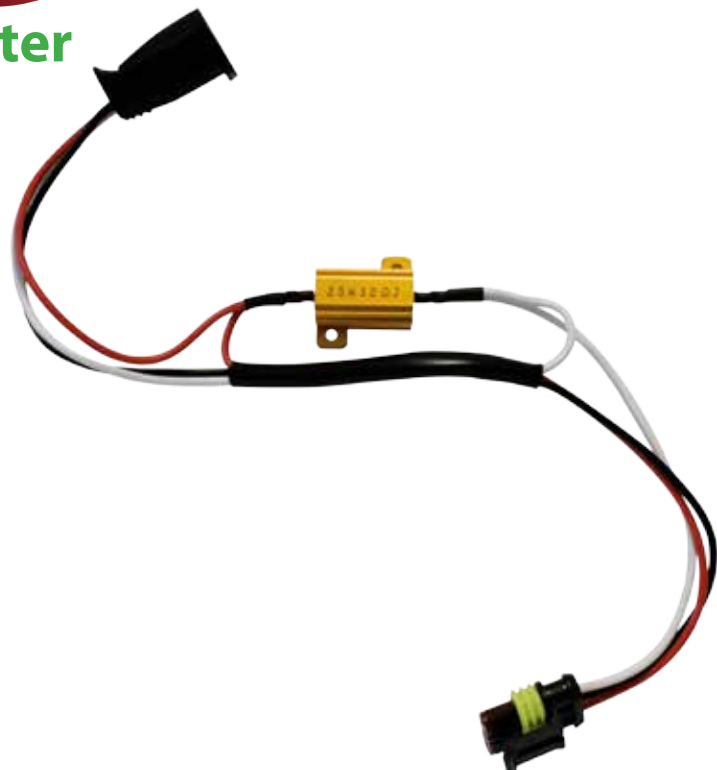
Size 4 1/2" (L) x 1" (W) x 1/2" (H)
Material Sealed housing/Water-proof
Features Easy Installation Converter for
 24V DC Vehicles
 Input: 24V DC
 Output: 12V DC
 Maximum: 1 AMP Load
Unit & Package Sold by each, carded for display



Part No.	Description
83021	Step Down Module

LED Load Resistor **NEW** Equalizer Plug/Adapter

Size Overall: 16"
Features Supports 25W/12 OHM
 For use with Standard
 Incandescent Flasher.
 Solve LED related turn signal
 problems (hyper flashing).
Unit & Package Sold by each, carded for display



Part No.	Description
83022	Resistor Plug



2 Prong Pigtail w/ 0.180 Bullet Plugs **NEW**

Size 5" (L)
Features UL Listed Wires
 18 GA Wires
Unit & Package Sold by each, color display bag



Part No.	Description
81009	2 Prong Pigtail

Continuous Double Plug Wire Harness Roll **NEW**

Size/Distance 100 Foot Roll
 15" Lead
Quantity 80 Plugs
Features UL Listed Wires
Unit & Package Sold by roll, boxed



Part No.	Description
88109	Fits 0.180 Bullet Plugs

1/4" Brass Air Fitting **NEW**

Size 1 1/4" (L)
Unit & Package Sold by each, color display bag



Part No.	Description
69992A	Fits GG Solenoid Valve (#69992/#69993) For 1/4" Air Line